

Anthelion Systems, Inc.

Nano Relay Output Smart Card

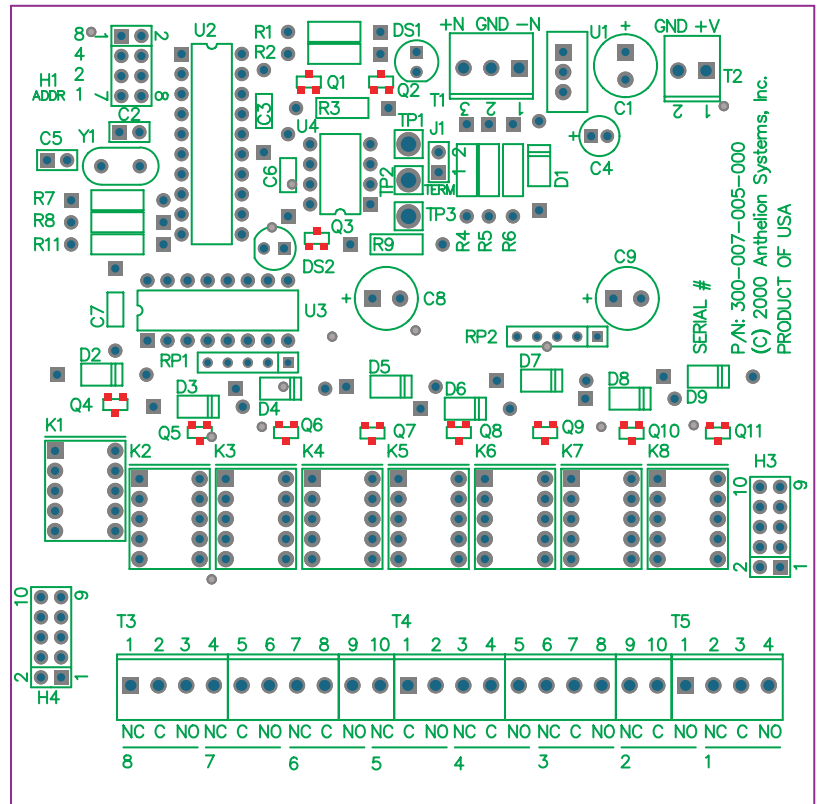
The next generation of low cost, high performance, data acquisition products are now available with Anthelion Systems. The Nano series will solve your companies cost and performance dilemmas.

Our "smart" devices utilize the latest technology in Micro controllers. They provide a great balance between price and performance. The cards were designed to withstand harsh environments with the result being outstanding durability, reliability and accuracy. They utilize the standard ModBus binary protocols for communication and to allow for their data to be retrieved by standard off the shelf Data Acquisition Software.

The Nano series Relay card is a smart subsystem. It has 8 output relays, the on board microprocessor awaits the data from the host and sets the relays accordingly. The relays have three connections; Normally Open, Normally Closed and Common.

The Nano card is a ModBus device with a RS485 port, all communication to the card is done through this port, the controller card has an on board Watchdog Timer and Brown Out protection, this system is low power and high performance.

A low power industrial PC is also available to scan the controller cards and archive the data based upon user configuration. Please contact Anthelion Systems for a solution to fit your companies growing needs.



Actual Size

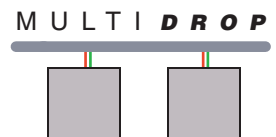
Operating temperature: -20 to 70°C

Size: 4" X 4"

Power: +6 to 12 VDC.

Communication: 2 wire RS485.

Relays are 2 Form C and UL/CSA rated at 1A 30V DC, 0.3 A 110V DC, 0.5A 125V AC.



Anthelion Systems, Inc.



2825 Wilcrest, Suite 550
Houston, Texas 77042
Voice: 713-339-4455
www.anthelion.com
support@anthelion.com