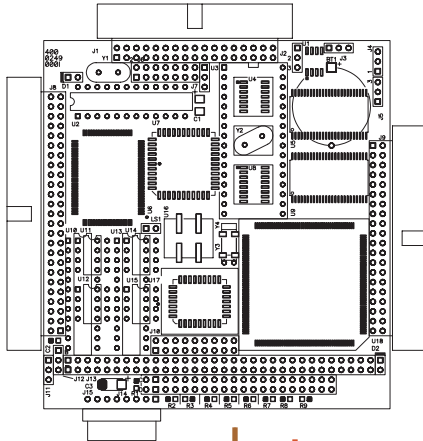


MAKE YOUR OWN RTU, THE WAY YOU WANT IT

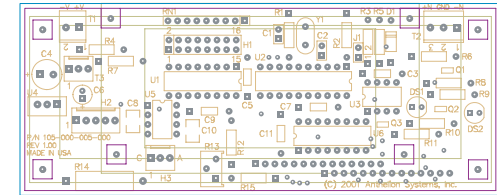
MODBUS SERIES RTU

INDUSTRIAL EMBEDDED LINUX PC



Linux / DOS based • WEB Accessible • LOW COST. High Performance • Field Upgradeable • Open System • Spread Spectrum / RF Capable • User Configurable • ModBus Protocol • LOW Power

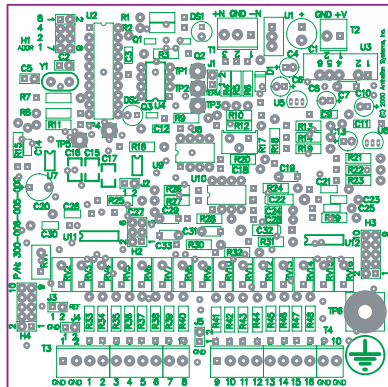
2 X 16 LCD



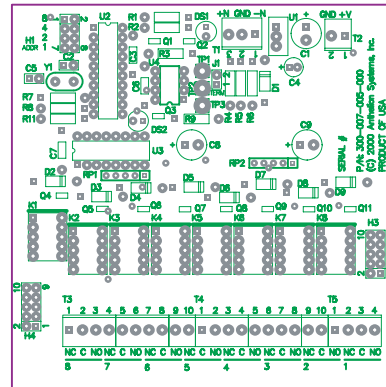
POWER

RS485

16 ANALOG



8 RELAYS



8 STATUS

